

**MVK I/O COMPACT MODULE, METAL**

CANopen, 8 multif.channels / 8 dig. In / Diag

Digital inputs/outputs

DIO8 DI8

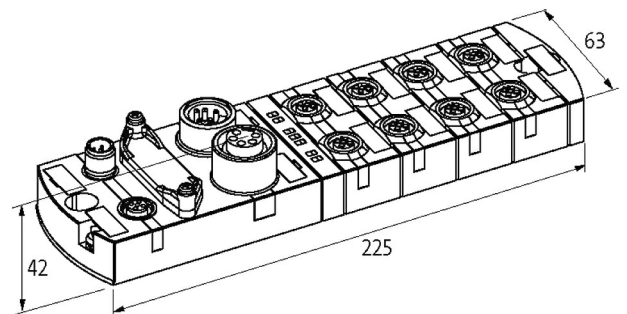
CAN 1 Mbit/s; M12, A-coded

7/8", 5-pole, 2× max. 9 A

M12, 5-pole, A-coded

Connection cables are in the online shop under "Connection Technology".

Housing fully potted.

**Illustration**

Product may differ from Image

**Approvals****More Info**

**Input**

Sensor supply US	24 V DC (EN 61131-2), max. 200 mA (M12 female), short-circuit and overload protected
Type	for 3-wire sensors or mechanical switches, PNP

**Output**

Actuator supply UA	24 V DC (EN 61131-2), max. 9 A
Switching current per output	max. 1.6 A (short-circuit and overload protected)
Lamp load	10 W

Connections	
Fieldbus	CAN 1 Mbit/s; M12, A-coded
Sensor-system/actuator supply	7/8", 5-pole, 2× max. 9 A
I/O ports	M12, 5-pole, A-coded
General data	
Protection	IP67
Mounting method	2-hole screw mounting
Dimensions H×W×D	42×63×225 mm
Temperature range	0...+55 °C (storage temperature -20...+70 °C)
Module supply	
Operating voltage	24 V DC (EN 61131-2)
CANopen	
Addressing	Rotary switch 1...99
Parameterization	
PIN 4	Input/Output
PIN 2	Input/Diagnostic
Diagnostic	
Communication status	via LED
Diagnostic via LED	per module and channel
Diagnostic via BUS	per module and channel
Monitoring - under voltage	yes
Monitoring - no voltage	yes
Short-circuit and overload	yes
Actuator warning	per channel via LED and BUS
Cable break	per port
Commercial data	
country of origin	DE
customs tariff number	85176200
EAN	4048879051507
eClass	27242604
Packaging unit	1